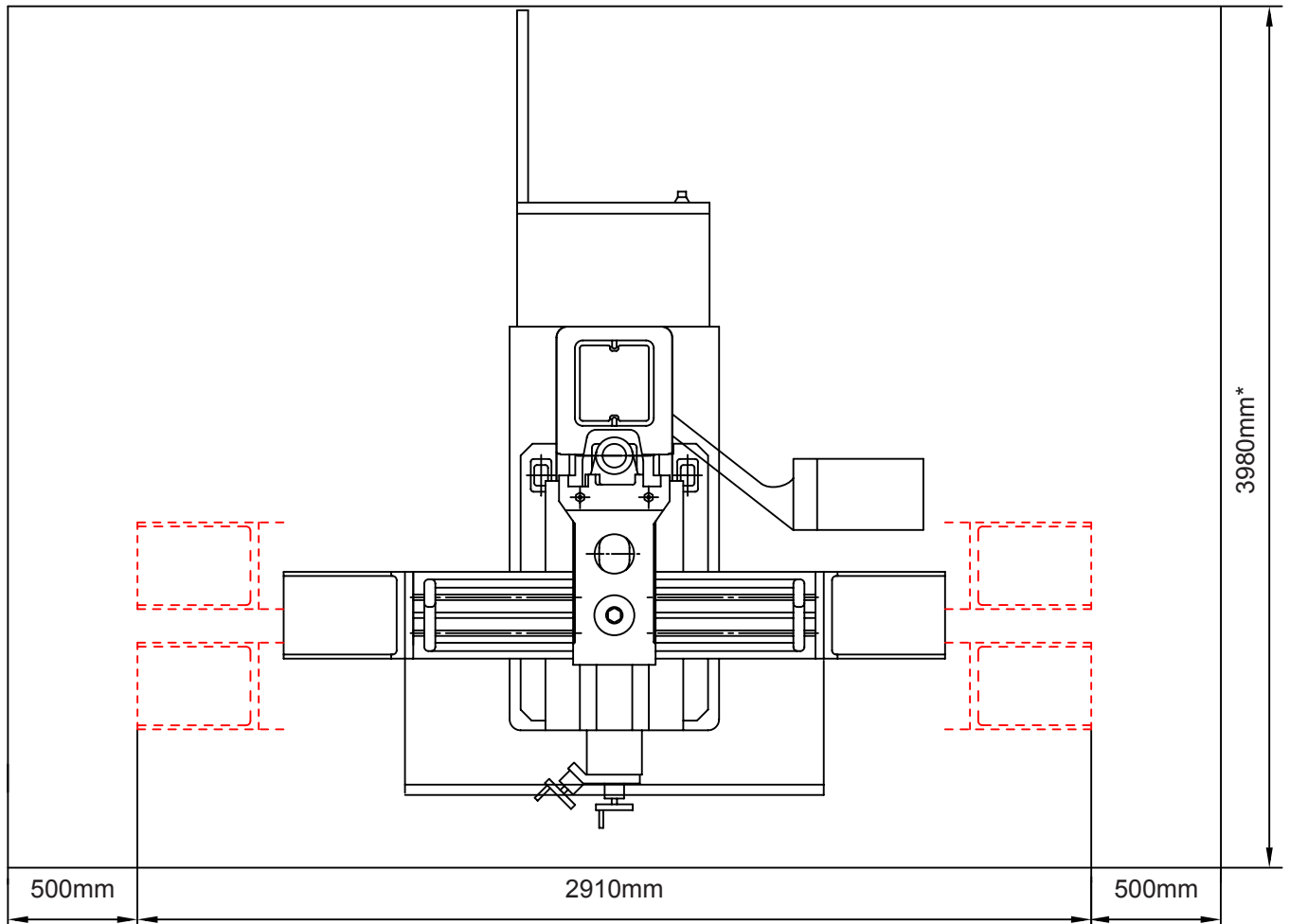


SMX 3500 Bed Milling Machine Siting Requirements

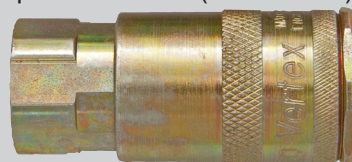


Machine Dimensions

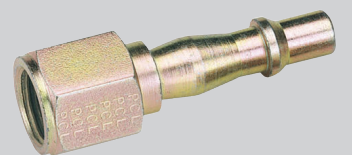
Minimum Width Required	3910mm*	*Dimensions include 500mm safety zone around machine
Minimum Depth Required	3980mm*	
Minimum Height Required	2540mm	

Power & Air Requirements

Single Phase	Not Required
Three Phase	415v
Neutral Required	Not Required
Main Fuse	32amp / Phase
Air Requirement	220 L/Min @ 6 bar
Air Fitting	1/4" PCL-BSP Push Fitting, male on machine, female required on hose. (As Pictured)



Hose Fitting



Machine Fitting