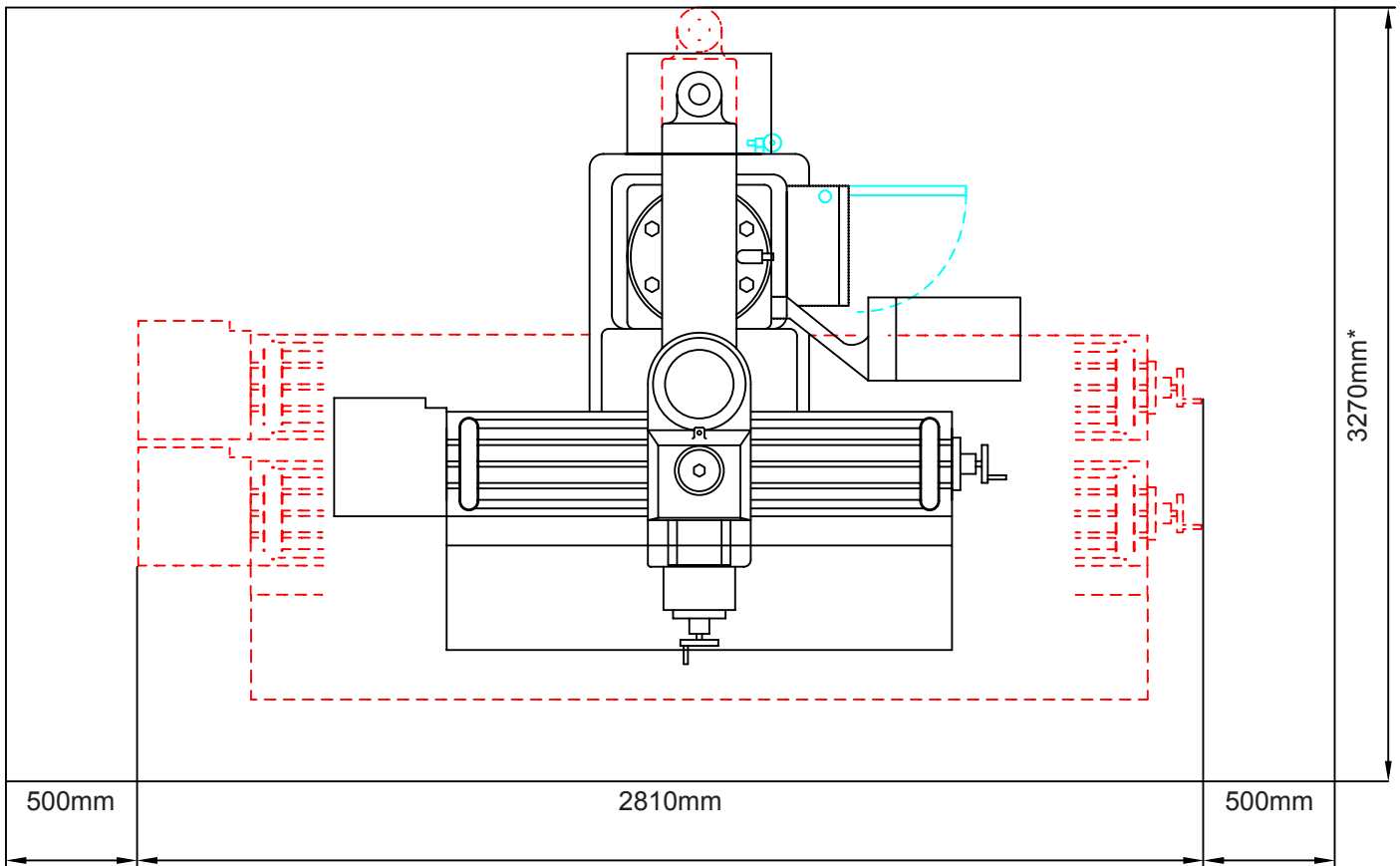


SMX SLV Turret Milling Machine Siting Requirements

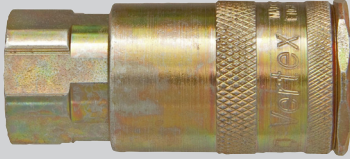
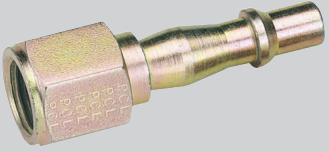


Machine Dimensions

Minimum Width Required	3810mm*	*Dimensions include 500mm safety zone around machine
Minimum Depth Required	3270mm*	
Minimum Height Required	2350mm	

Power & Air Requirements

Single Phase	Not Required
Three Phase	415v
Neutral Required	Not Required
Main Fuse	25amp / Phase
Air Requirement	220 L/Min @ 6 bar
Air Fitting	1/4" PCL-BSP Push Fitting, male on machine, female required on hose. (As Pictured)

Hose Fitting
Machine Fitting