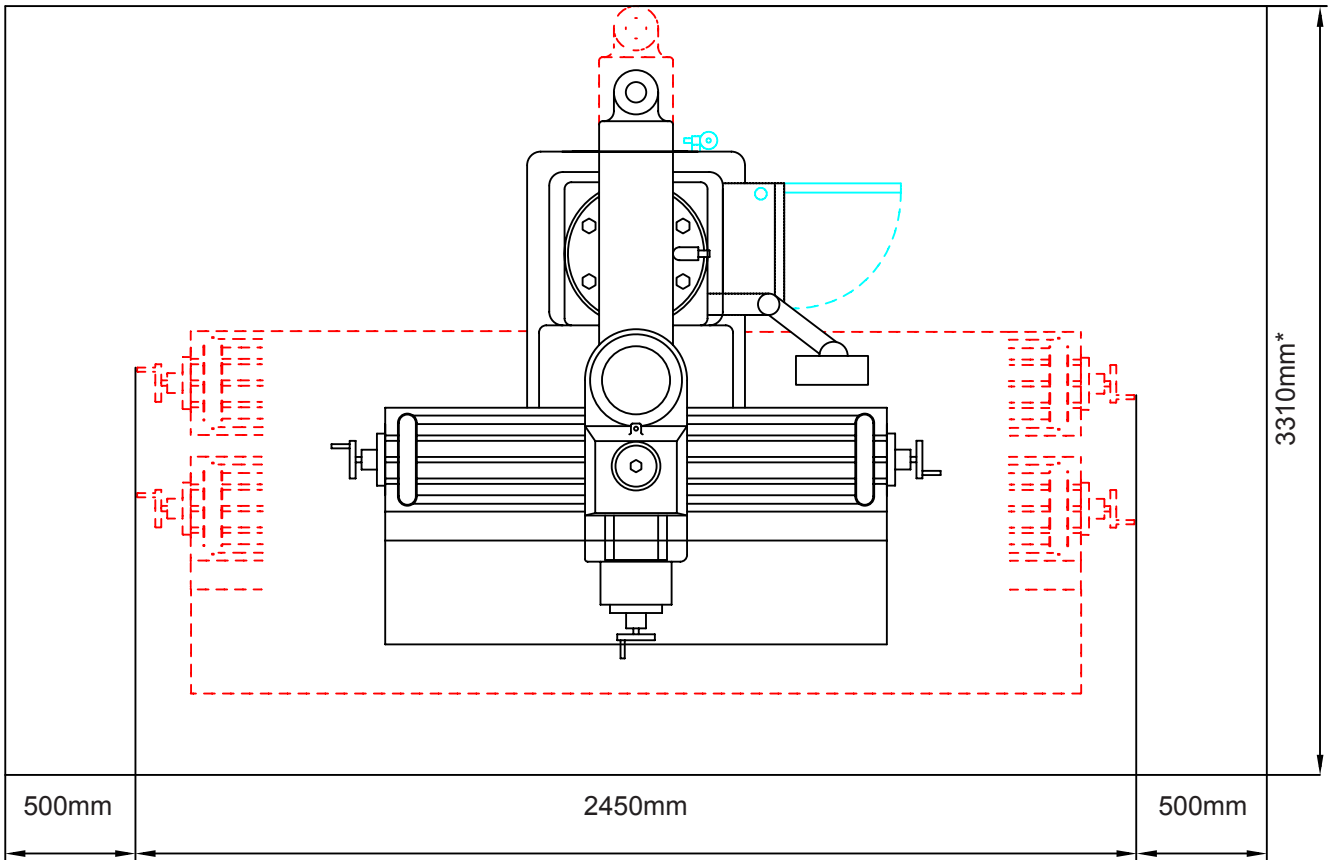


## XYZ 2000 Turret Milling Machine Siting Requirements

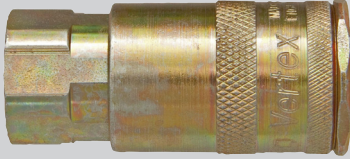


### Machine Dimensions

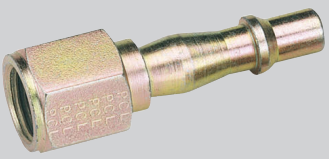
Minimum Width Required	3450mm*	*Dimensions include 500mm safety zone around machine
Minimum Depth Required	3310mm*	
Minimum Height Required	2140mm	

### Power & Air Requirements

Single Phase	Not Required
Three Phase	415v
Neutral Required	Not Required
Main Fuse	16amp / Phase
Air Requirement	220 L/Min @ 6 bar
Air Fitting	1/4" PCL-BSP Push Fitting, male on machine, female required on hose. (As Pictured)



Hose Fitting



Machine Fitting