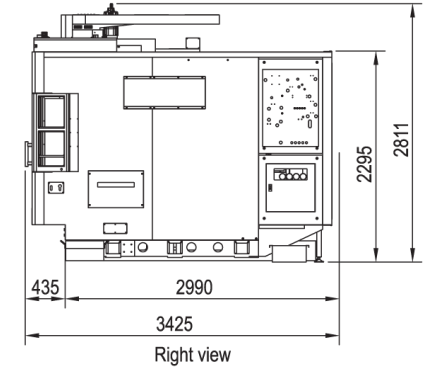
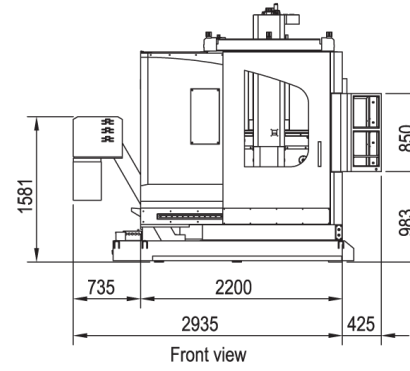
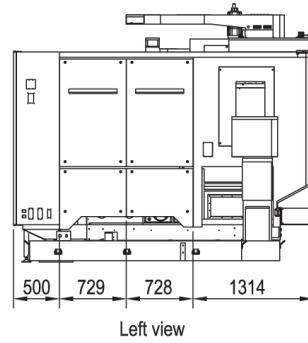
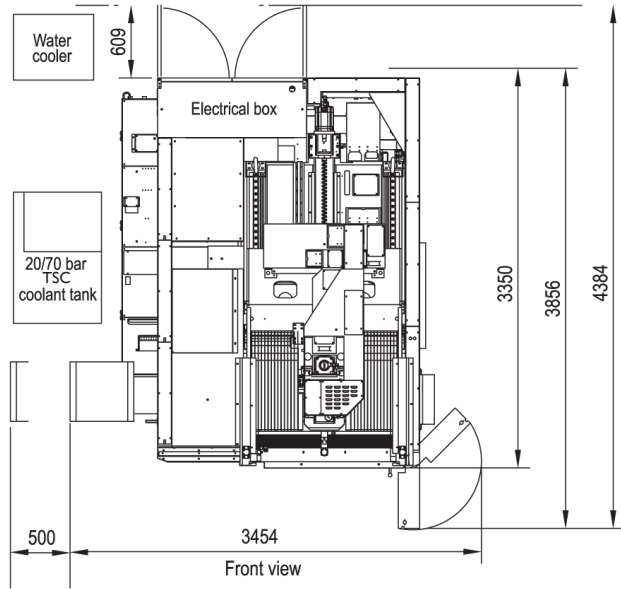
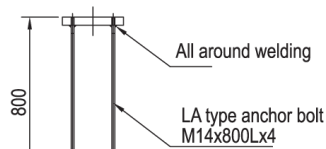
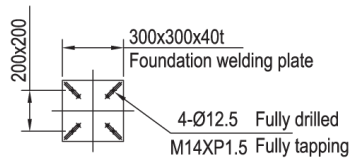


# Layout and footprint

## Layout



## Footprint



A-A section  
S=1:20

